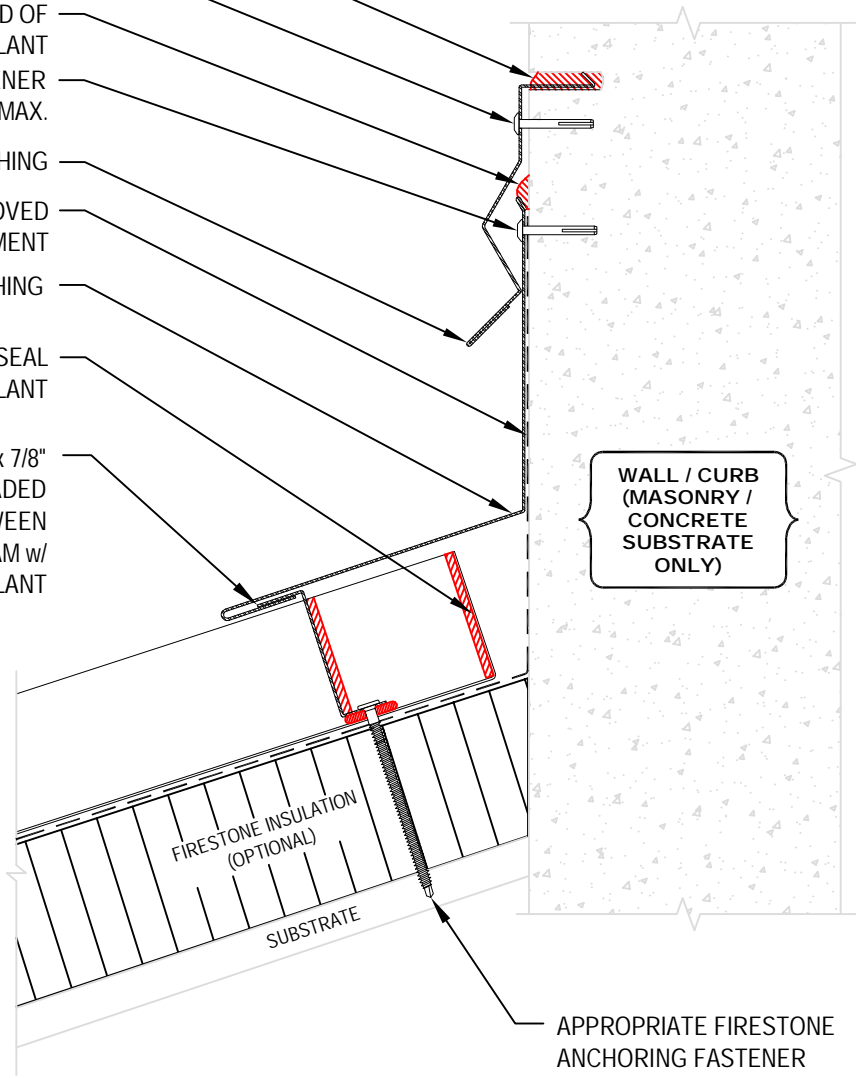


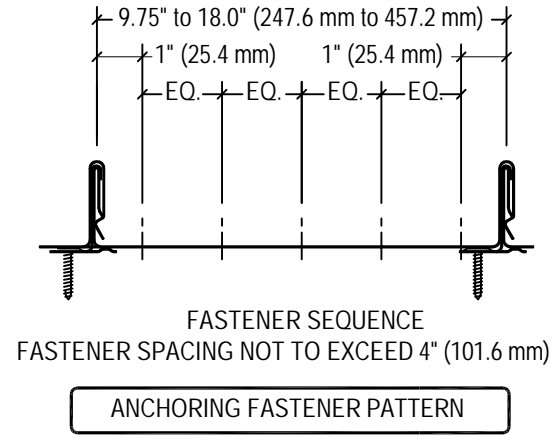
CONTINUOUS BEAD OF URETHAN SEALANT
 APPROPRIATE FIRESTONE FASTENER
 12" (304.8mm) O.C. MAX.
 CONTINUOUS BEAD OF URETHAN SEALANT
 APPROPRIATE FIRESTONE FASTENER
 12" (304.8mm) O.C. MAX.
 REGLET FLASHING
 FIRESTONE APPROVED UNDERLAYMENT
 HEADWALL FLASHING
 TURN UP LEG AND SEAL w/ URETHANE SEALANT
 ZEE CLOSURE SET IN 3/16" x 7/8" (4.8 mm x 63.5 mm) DOUBLE BEADED BUTYL TAPE, FILL SPACE BETWEEN ZEE & PANEL SEAM w/ URETHANE SEALANT



MASONRY AND CONCRETE WALLS / CURBS MUST BE WATERPROOFED AND MAINTAINED IN ORDER FOR ANY SURFACE MOUNTED TERMINATION TO BE EFFECTIVE.

NOTES:

1. REFER TO FIRESTONE WEBSITE FOR MOST CURRENT INFORMATION.
2. REFER TO TECHNICAL INFORMATION SHEETS FOR FASCIA SIZES, ACCESSORIES, AND FINISHES AVAILABLE.
3. WOOD NAILER MUST BE INSTALLED TO MEET APPLICABLE BUILDING CODES OR 200 LBS PER LINEAR FOOT MINIMUM IN ANY GIVEN DIRECTION.
4. REFER TO THE FIRESTONE TECHNICAL DATABASE FOR FASTENER COMPATIBILITY WITH METAL.
5. APPLICATION DETAILS ARE FOR ILLUSTRATION PURPOSES ONLY AND MAY NOT BE APPROPRIATE FOR ALL BUILDING DESIGNS AND CONDITIONS.



FOR WARRANTY PERIODS GREATER THAN 20 YEARS REFER TO METAL QUICK SPECS FOR MINIMUM REQUIREMENTS.

MAXIMUM WARRANTY: 20 YEARS

Firestone
 BUILDING PRODUCTS
 NOBODY COVERS YOU BETTER.™
 www.firestonebpco.com

FIXED HEADWALL WITH Z-CLOSURE AT REGLET

UNA-CLAD®

ACCEPTABLE SYSTEMS: UC-14 RS

ISSUE / REVISION DATE:
 09/09/2013
 NOT TO SCALE

DETAIL NO.
 14-HW-1