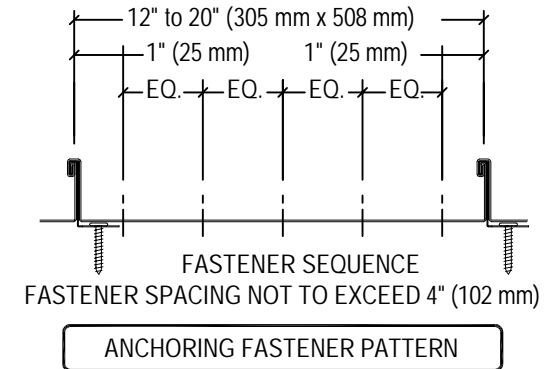
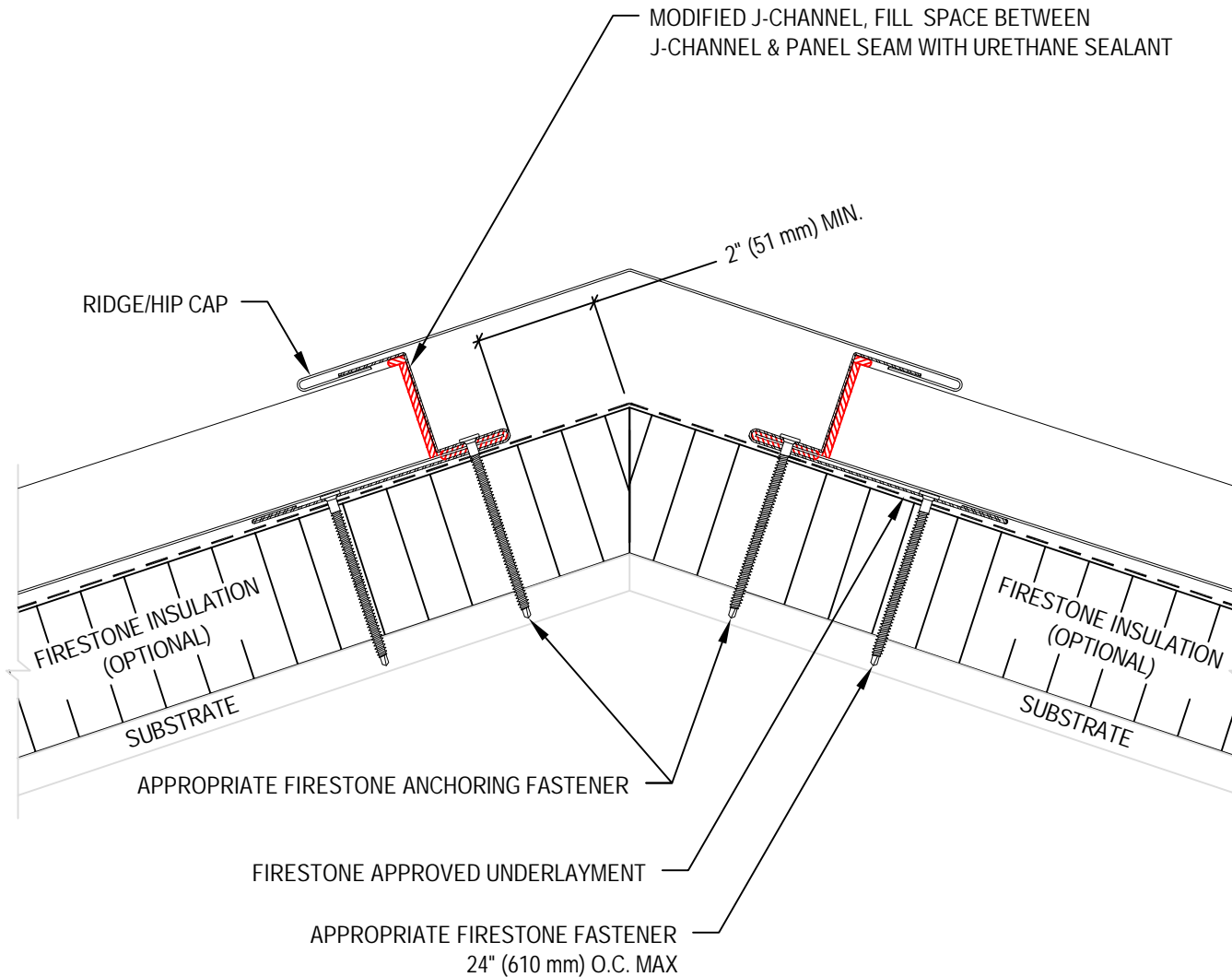


NOTES:

1. REFER TO FIRESTONE WEBSITE FOR MOST CURRENT INFORMATION.
2. REFER TO TECHNICAL INFORMATION SHEETS FOR FASCIA SIZES, ACCESSORIES, AND FINISHES AVAILABLE.
3. REFER TO THE FIRESTONE TECHNICAL DATABASE FOR FASTENER/METAL COMPATIBILITY.
4. APPLICATION DETAILS ARE FOR ILLUSTRATION PURPOSES ONLY AND MAY NOT BE APPROPRIATE FOR ALL BUILDING DESIGNS AND CONDITIONS.



FOR WARRANTY PERIODS GREATER THAN 20 YEARS REFER TO METAL QUICK SPECS FOR MINIMUM REQUIREMENTS.

MAXIMUM WARRANTY: 20 YEARS

Firestone
BUILDING PRODUCTS
NOBODY COVERS YOU BETTER.™
www.firestonebpco.com

FIXED HIP OR RIDGE WITH MODIFIED J-CHANNEL

UNA-CLAD®

ACCEPTABLE SYSTEMS: UC-3 RS

ISSUE / REVISION DATE:

08/28/2013

NOT TO SCALE

DETAIL NO.

3-R-2