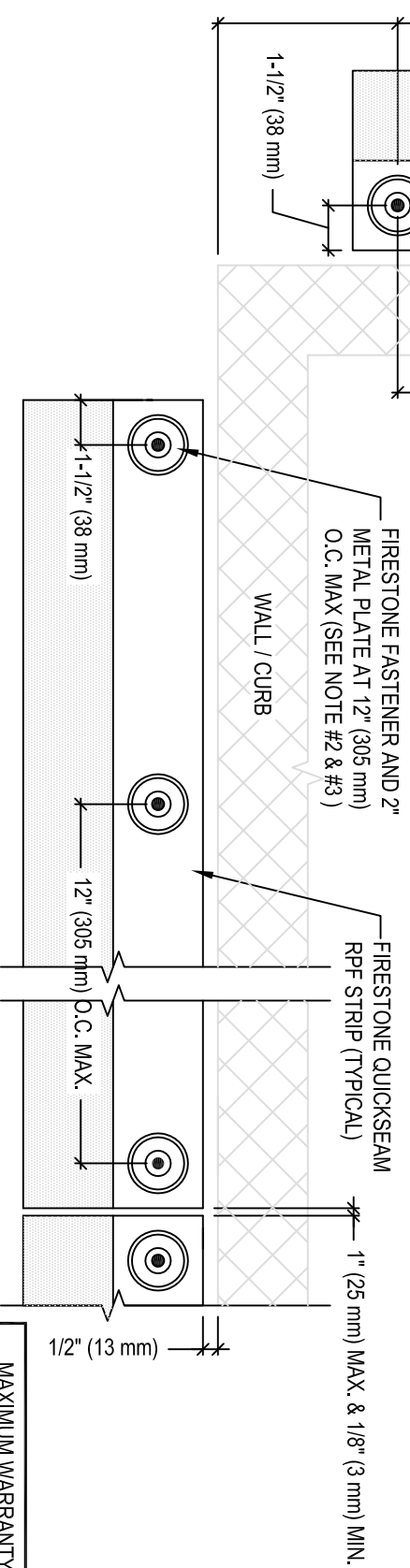


RPF STRIP ATTACHED TO WALL/CURB

- NOTES:
- REFER TO FIRESTONE WEBSITE FOR MOST CURRENT INFORMATION.
 - MAXIMUM 6" (152 mm) LONG FASTENERS (NOTE: WOOD BLOCKING MAY BE SUBSTITUTED FOR INSULATION TO REDUCE FASTENER LENGTH REQUIREMENTS).
 - FIRESTONE BATTEN STRIP MAY BE USED IN LIEU OF SEAM PLATES TO ATTACH RPF STRIP TO ROOF DECK FOR MECHANICALLY ATTACHED AND FULL ADHERED SYSTEMS ONLY. BATTEN STRIPS MAY BE USED TO ATTACH RPF STRIP TO WALL/CURB FOR ALL SYSTEMS. POLYMER OR METAL BATTEN STRIP ACCEPTABLE FOR WOOD OR METAL SUBSTRATE. METAL BATTEN MUST BE USED WITH MASONRY SUBSTRATE.

BASE FLASHING AND TERMINATION NOT SHOWN FOR CLARITY. REFER TO APPROPRIATE TERMINATION & BASE TIE-IN DETAILS.



MAXIMUM WARRANTY: **20 YEARS**

QUICKSEAM RPF LAYOUT AT OUTSIDE CORNER

ULTRAPLY™ TPO ACCEPTABLE SYSTEMS: ALL

ISSUE / REVISION DATE: 6/26/2014

DETAIL NO. UT-BT-14

NOT TO SCALE