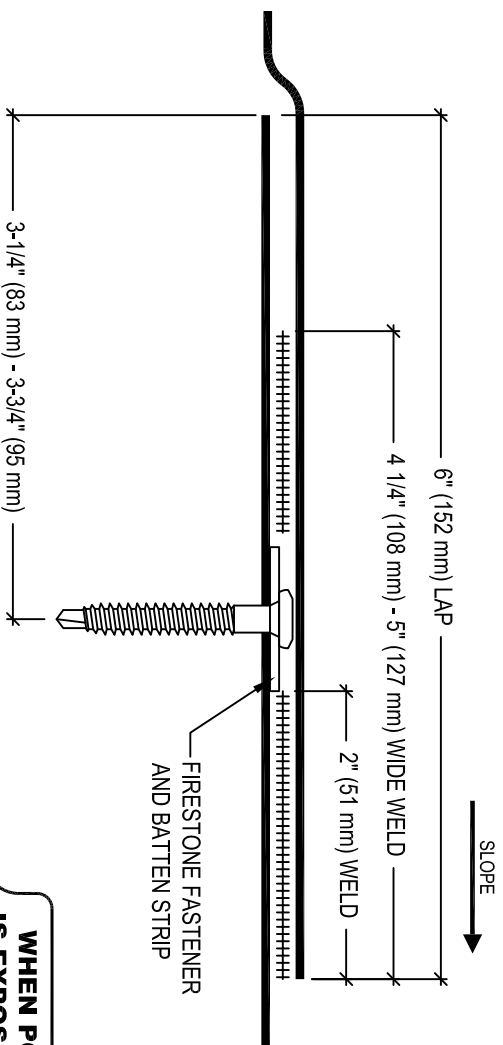
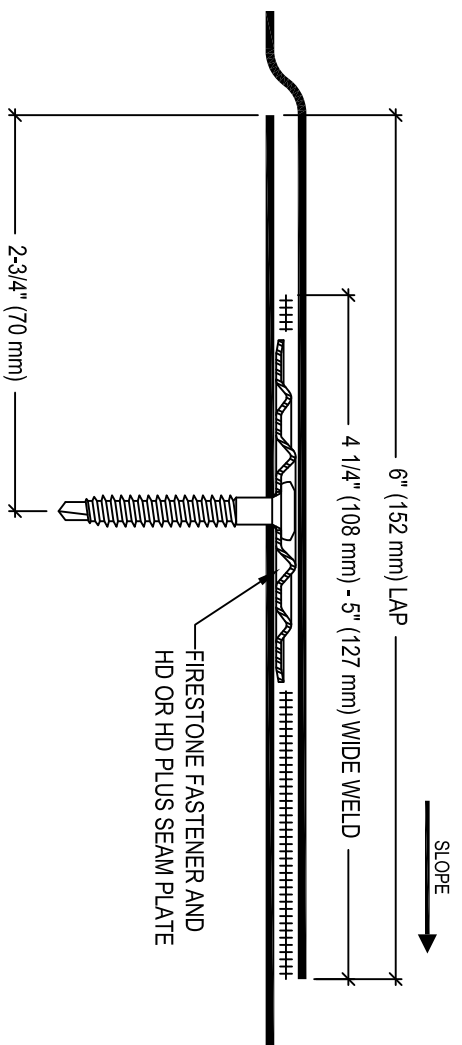


- NOTES:
 1. REFER TO FIRESTONE WEBSITE FOR MOST CURRENT INFORMATION.



WHEN POLYESTER REINFORCEMENT OF TPO IS EXPOSED, APPLY CUT EDGE TREATMENT TO ENTIRE EXPOSED EDGE. REFER TO UT-LS-14.

Firestone
 BUILDING PRODUCTS
 NOBODY COVERS YOU BETTER.™
 www.firestonebpc.com

LAP SPlice WITH 5" CONTINUOUS WIDE WELD
 ULTRAPLY™ TPO
 ACCEPTABLE SYSTEMS: ALL

ISSUE / REVISION DATE:
 6/24/2014
 NOT TO SCALE

MAXIMUM WARRANTY: **20 YEARS**
 DETAIL NO.
UT-LS-3