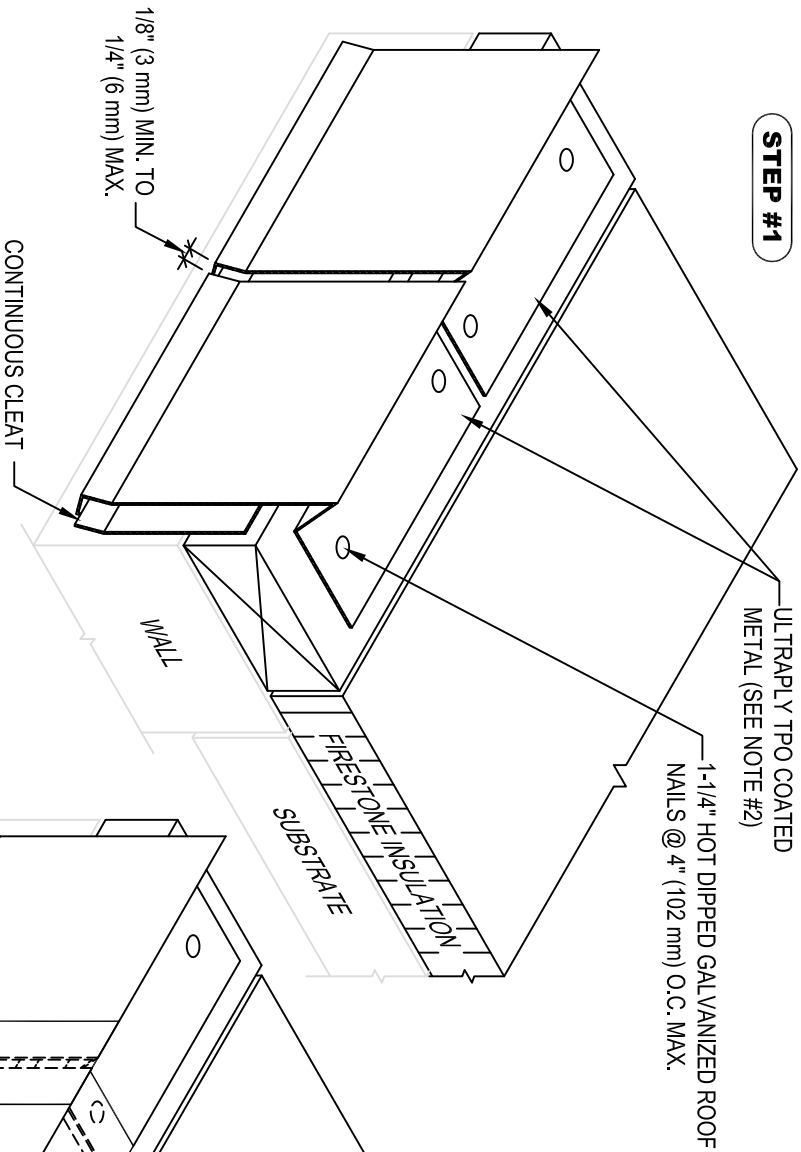


STEP #1



ULTRAPLY TPO COATED METAL (SEE NOTE #2)

1-1/4" HOT DIPPED GALVANIZED ROOF NAILS @ 4" (102 mm) O.C. MAX.

CONTINUOUS CLEAT

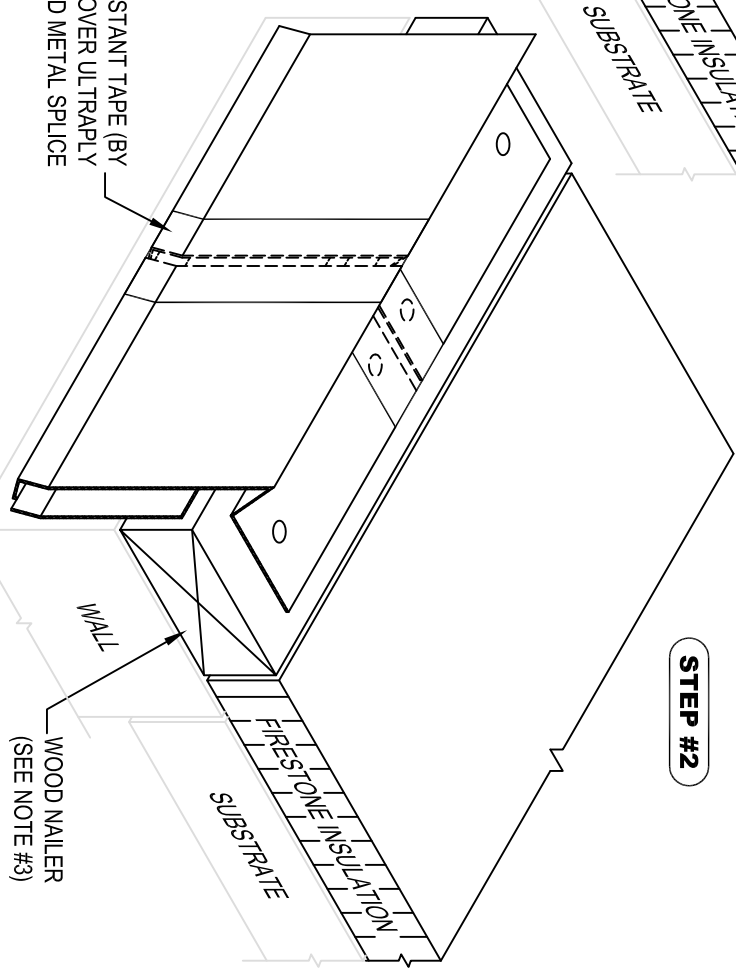
1/8" (3 mm) MIN. TO 1/4" (6 mm) MAX.

WALL

FIRESTONE INSULATION
SUBSTRATE

HEAT RESISTANT TAPE (BY OTHERS) OVER ULTRAPLY TPO COATED METAL SPLICE

STEP #2



WOOD NAILER (SEE NOTE #3)

WALL

FIRESTONE INSULATION
SUBSTRATE

- NOTES:
1. REFER TO FIRESTONE WEBSITE FOR THE MOST CURRENT INFORMATION.
 2. INSTALL METAL WORK TO SMACNA RECOMMENDATIONS. IF SHOP FABRICATED METAL EDGE IS USED IT MUST MEET ANSI/SPRI ES-1 OR AN FM STANDARD.
 3. WOOD NAILER MUST BE INSTALLED TO MEET APPLICABLE BUILDING CODES OR 200 LBS PER LINEAR FOOT MINIMUM IN ANY GIVEN DIRECTION.

MAXIMUM WARRANTY: **20 YEARS**

ROOF EDGE SPLICE WITH ULTRAPLY TPO COATED METAL - INSTALLATION STEPS 1 & 2

ULTRAPLY™ TPO

ACCEPTABLE SYSTEMS: ALL

ISSUE / REVISION DATE:

6/25/2014

NOT TO SCALE

DETAIL NO.

UT-RE-23a

Firestone
BUILDING PRODUCTS
NOBODY COVERS YOU BETTER.™
www.firestonebpc.com