



**EVALUATION REPORT**

**FLORIDA BUILDING CODE, 6<sup>TH</sup> EDITION (2017)**

**Manufacturer:** FIRESTONE BUILDING PRODUCTS CO., LLC *Issued October 8, 2017*  
 200 4<sup>th</sup> Avenue South  
 Nashville, TN 37201  
 (800) 428-4511  
[www.firestonebpc.com](http://www.firestonebpc.com)

**Manufacturing:** Waukesha, WI

**Quality Assurance:** FM Approvals (QUA1860)

**SCOPE**

**Category:** Roofing  
**Subcategory:** Roofing Accessories that are an Integral Part of the Roofing System  
**Code Sections:** 1523.6.5.2.14  
**Properties:** Edge securement for low-slope roofs

**REFERENCES**

<u>Entity</u>	<u>Report No.</u>	<u>Standard</u>	<u>Year</u>
Intertek Testing Services – Middleton (TST6781)	3032125	TAS 111(B)	1995
		TAS 111(C)	1995
Intertek Testing Services – Middleton (TST6781)	3033767	TAS 111(B)	1995

**PRODUCT DESCRIPTIONS**

**Product:** **Firestone Coping**  
**Description:** Aluminum coping; Max. 6-inch outside face; Max. 3.5-inch inside face; Max. 14-inch wall width; Max. 12-ft length  
**Material:** Min. 0.050-inch aluminum; Shall conform with FBC Section 1517.6 and RAS 111  
**Anchor:** Min. 0.0396-inch, 20 ga. galvanized steel anchor/support cleats; Shall conform with RAS 111

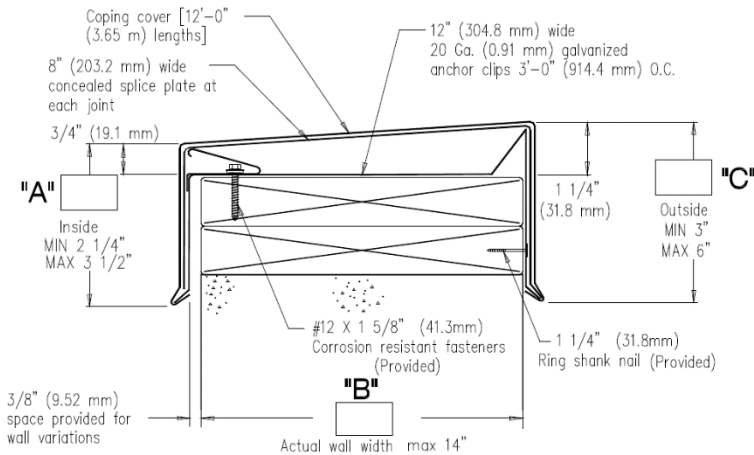
**Product:** **Anchorgard SP Fascia**  
**Anchorgard MB Fascia**  
**Anchorgard Platinum Fascia**  
**Description:** Decorative metal fascia; Max. 8.5-inch outside face; Max. 12-ft length  
**Material:** Min. 0.0276-inch, 24 ga. galvanized steel; Shall conform with FBC Section 1517.6 and RAS 111  
**Anchor:** Min. 0.070-inch continuous extruded aluminum anchor bar; Shall conform with RAS 111

**Product:** **Anchorgard SP Extended Fascia**  
**Anchorgard MB Extended Fascia**  
**Anchorgard Platinum Extended Fascia**  
**Description:** Decorative metal fascia; Max. 13-inch outside face; Max. 12-ft length  
**Material:** Min. 0.050-inch aluminum; Shall conform with FBC Section 1517.6 and RAS 111  
**Anchor:** Min. 0.070-inch continuous extruded aluminum anchor bar and 20 ga. galvanized steel continuous cleat, Shall conform with RAS 111

**INSTALLATION**

**Firestone Coping**

**Installation:** Anchor clips shall be spaced a maximum 3-ft o.c. and fastened with #12 x 1-5/8" hex head screws fastened through the third hole of the top portion of the anchor clip on the side where the stainless steel spring clip is located and with two (2) additional 1-1/4" annular ring shank nails fastened in the provided holes on the opposite face at a maximum 3-inches up from the bottom lip.

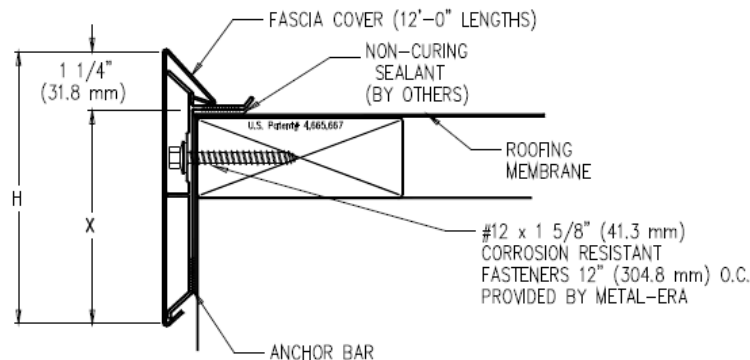


**Maximum Design Pressure (Pressure calculated using 2:1 margin of safety per 1504.9)**

**MDP:** -84 psf

**Anchorgard SP Fascia  
Anchorgard Platinum Fascia  
Anchorgard MB Fascia**

**Installation:** The top portion of the anchor bar shall be fastened with a minimum #12 x 1-5/8" hex head screws spaced maximum 12-inch o.c. secured to the top nailer.

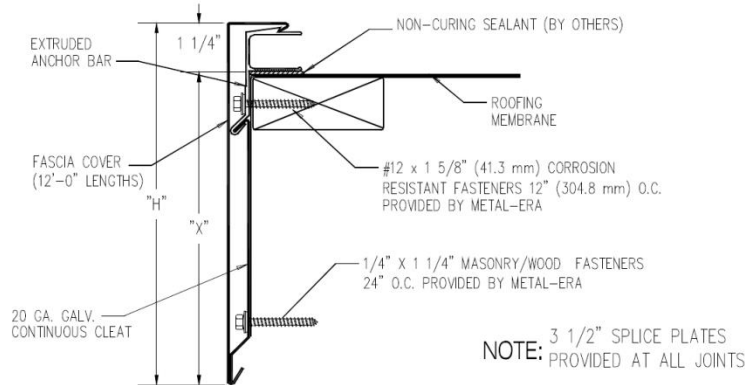


**Maximum Design Pressure (Pressure calculated using 2:1 margin of safety per 1504.9)**

**MDP:** -145 psf

**Anchorgard SP Extended Fascia**  
**Anchorgard MB Extended Fascia**  
**Anchorgard Platinum Extended Fascia**

Installation:	The top portion of the anchor bar shall be fastened with a minimum #12 x 1-5/8" hex head screws with washers spaced maximum 12-inch o.c. secured to the top nailer. The lower portion of the anchor bar shall be fastened with 1/4" x 1-1/4" hex head screws spaced maximum 24-inches underlying substrate.
---------------	---


**Maximum Design Pressure (Pressure calculated using 2:1 margin of safety per 1504.9)**

MDP:	<b>-95 psf</b>
------	----------------

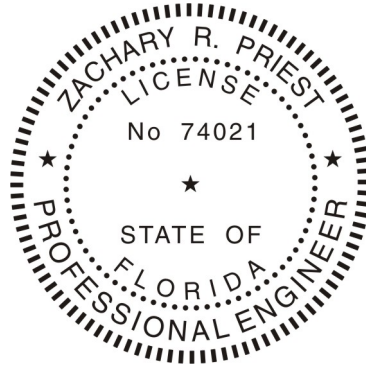
**LIMITATIONS**

1. Fire classification is not within the scope of this evaluation.
2. Edge metal systems shall not be used on buildings with roof slopes greater than 2:12.
3. Installation of the evaluated products shall comply with this report, RAS 111 and the manufacturer's published application instructions. Where discrepancies exist between these sources, the more restrictive and FBC compliant installation detail shall prevail.
4. Fasteners shall comply with RAS 111 and FBC Section 1515.2.3.3.
5. Fasteners shall provide a Minimum Characteristic Resistance Force (F') of 240 lbf into the substrate when tested in accordance with TAS 105.
6. Maximum design pressures listed under the Installation section of the report shall apply to the perimeter zone of the roof without modification. Rational analysis for increasing the fastening density may be submitted by a qualified design professional to meet increased design pressures for the corner zones of the roof.
7. All products listed in this report shall be manufactured under a quality assurance program in compliance with Rule 61G20-3.

**COMPLIANCE STATEMENT**

---

The products evaluated herein by Zachary R. Priest, P.E. have demonstrated compliance with the Florida Building Code, 6<sup>th</sup> Edition (2017) as evidenced in the referenced documents submitted by the named manufacturer.



Zachary R. Priest, P.E.  
Florida Registration No. 74021  
Organization No. ANE9641

**CERTIFICATION OF INDEPENDENCE**

---

CREEK Technical Services, LLC does not have, nor will it acquire, a financial interest in any company manufacturing or distributing products under this evaluation.

CREEK Technical Services, LLC is not owned, operated, or controlled by any company manufacturing or distributing products under this evaluation.

Zachary R. Priest, P.E. does not have, nor will acquire, a financial interest in any company manufacturing or distributing products under this evaluation.

Zachary R. Priest, P.E. does not have, nor will acquire, a financial interest in any other entity involved in the approval process of the product.

**END OF REPORT**